

# LTC-4SQD SpectraSync

LITEISTRY 4" SQUARE CYLINDER WITH COLOR TUNING

LITEISTRY™

## FEATURES

- 4" architectural LED downlight cylinder delivering 600 - 1500 lm
- Four beam distributions from 0.6 to 1.2 Spacing Criteria
- Quiet reflector appearance with 50° optical cutoff
- SpectraSync™ Color Tuning technology allows flexibility to tailor CCT to aesthetic preferences
- Available in Dim To Warm (2200K-3000K) or Tunable White (2700K-5000K or 2700K-6500K), 90 CRI
- Available in Surface, Wall, Pendant or Cable/Cord Mount configurations
- Versatile canopy options for recessed and surface-mounted J-box applications
- Standard with 0-10V dimming to 5%



(Select Models)

## RELATED PRODUCTS

Ø 3" LITEISTRY Family

Ø 4" LITEISTRY Family

Ø 6" LITEISTRY Family

## CONTROL TECHNOLOGY



## SPECIFICATIONS

### CONSTRUCTION

- Seamless heavy gauge aluminum cylinder body with a clean appearance
- Available in Surface (S), Wall (W), Pendant (P), or Cable/Cord (CM) mounting types
- Canopy options include Standard and Conduit Canopy (CC), (See Dimensions section for details)
- For S, P, or CM mounting with CC canopy option, use 4" octagonal junction box (by others)
- All Wall Mount: Die cast aluminum mounting arm allows direct mounting to standard 4" octagonal or square junction box
- Pendant Mount canopy options allow sloped ceiling up to 35°
- Select from 4 standard architectural painted finishes, Brushed Aluminum, or specified custom color

### OPTICS

- Visually pleasing 50° cutoff to source and source image
- The light distribution is free of distracting bright spots or pixelation and the perimeter has a smooth transition
- Optical grade silicone lens integral to light engine
- High purity four panel aluminum reflector, self-flanged
- Large selection of anodized finishes and colors
- Painted cones and flange options available

### ELECTRICAL

- LED array with 3 SDCM color consistency
- Dim to Warm (2200K-3000K) or Tunable White (2700K-5000K or 2700K-6500K) options available
- 90+ CRI standard
- Long LED life: L70 at >60,000 (TM-21)
- Universal voltage 120V-277V driver
- UL Class 2, inherent short circuit and overload protection, RoHS compliant
- Flicker free 0-10V dimming to 5%

### INSTALLATION

- Light Engine/Trim assembly is mechanically secured with torsion springs for ease of installation
- Conduit Canopy options (CC) allow field selectable conduit entry (up to 4@ 90°) (See Dimensions section)
- Conduit Canopies utilize a patent pending mounting yoke to secure cylinder to the ceiling surface
- Cable/Cord can be cut in the field to custom length
- Standard and Custom Pendant lengths available (specify when ordering)

### CERTIFICATIONS

- cCSAus certified to UL 1598
- Wall Mount up to 10L (except CC): Suitable for wet locations
- Pendant Mount up to 10L (except CC): Suitable for wet locations under covered ceiling

### CERTIFICATIONS (CONTINUED)

- Surface, Cable/Cord Mount and all 15L, and all CC: Suitable for damp locations
- This product qualifies as a "designated country construction material" per FAR 52.225-11 Buy American-Construction. Materials under Trade Agreements effective 6/6/2020. See [Buy American Solutions](#).

### WARRANTY

- 5 year warranty
- See [HLI Standard Warranty](#) for additional information

KEY DATA	
Lumen Range	600-1500
Wattage Range	10-25
Efficacy Range (LPW)	49-60*
Reported Life (Hours)	L70 / >60,000
Input Current Range (mA)	83-208 (120V)

\*Based on Specular, 30K, 90 CRI



# LTC-4SQD SpectraSync

LITEISTRY 4" SQUARE CYLINDER WITH COLOR TUNING

DATE: \_\_\_\_\_ LOCATION: \_\_\_\_\_  
 TYPE: \_\_\_\_\_ PROJECT: \_\_\_\_\_  
 CATALOG #: \_\_\_\_\_

## ORDERING GUIDE

Example: LTC-4SQD-CM15WHCC-15L2230TD9WD-DMTW-SS-WH

CATALOG # \_\_\_\_\_

LTC-4SQD	Cylinder Mounting		Canopy Option	Lumen Output	CCT	CRI
<b>Aperture/Shape/Function</b>						
LTC-4SQ 4" Square Downlight Cylinder	<b>S</b> Surface	<i>Refer to chart on Page 3 for available canopy options based on driver/controls selection</i>		<b>06L</b> 600 Lumens <sup>3</sup>	<b>2230TD</b> 2200K-3000K SpectraSync™ Dim to Warm	<b>8</b> 80+ CRI
	<b>W</b> Wall			<b>10L</b> 1000 Lumens <sup>3</sup>		<b>9</b> 90+ CRI
	<b>P</b> Pendant (Standard) Nominal 18" length from cylinder top to ceiling <sup>8</sup>	<b>Standard Canopy</b> <sup>3,7</sup>		<b>15L</b> 1500 Lumens <sup>3,6</sup>		
	<b>P_</b> Pendant (Custom) Specify length from cylinder top to ceiling in 1 inch increments from 15 to 60 <sup>8</sup>	<b>CC</b> Conduit Canopy <sup>3,7</sup>			<b>2750T</b> 2700K-5000K SpectraSync™ Tunable White	
	<b>Cable/Cord</b> <sup>5</sup>				<b>2765T</b> 2700K-6500K SpectraSync™ Tunable White	
	<b>CM</b> 6ft Clear Cord					
	<b>CMBL</b> 6ft Black Cord					
	<b>CMWH</b> 6ft White Cord					
	<b>CM15</b> 15ft Clear Cord					
	<b>CM15BL</b> 15ft Black Cord					
	<b>CM15WH</b> 15ft White Cord					

Distribution	Driver Options	Voltage	Reflector Finish	Reflector Color	Flange Color Options
<b>NR</b> Narrow (0.6 SC/37°)	<b>DMTW</b> SpectraSync™ Dim to Warm, 0-10V Dimming to 5% <sup>1,3</sup>	<i>Standard</i> 120-277V	<i>Finish not applicable with painted reflectors (WC or BC)</i>	<i>Standard Clear</i>	<i>Standard matches reflector color</i>
<b>MD</b> Medium (0.8 SC/46°)	<b>DMT</b> SpectraSync™ Tunable White, 0-10V Dimming to 5% <sup>2,3</sup>		<b>S</b> Specular	<b>CG</b> Champagne Gold	<b>WT</b> White Flange <sup>4</sup>
<b>WD</b> Wide (1.0 SC/60°)			<b>SS</b> Semi-Specular	<b>BL</b> Black	<b>BT</b> Black Flange <sup>4</sup>
<b>XW</b> Extra Wide (1.2 SC/69°)			<b>VS</b> Softglow®	<b>LW</b> Light Wheat	
			<b>VSS</b> SoftSheen™	<b>PW</b> Pewter	
				<b>WC</b> Painted White Cone and Flange	
				<b>BC</b> Painted Black Cone and Flange	

Exterior Cylinder Color	
<b>BA</b>	Brushed Aluminum <sup>9</sup>
<b>BZ</b>	Bronze
<b>BL</b>	Matte Black
<b>WH</b>	Matte White
<b>SVR</b>	Silver
<b>CC_</b>	Custom Color (Specify RAL#, Example: CCRAL1073)
<b>TCC_</b>	True Custom Color (Specify description, Example: TCC BABY BLUE, Paint chip must be provided to match)

Notes:

- 1 Must select 2230TD with DMTW driver.
- 2 Must select either 2750T or 2765T with DMT driver
- 3 For lumen outputs/configurations available, see chart on page 3.
- 4 WT not needed for WC; BT not needed for BC.
- 5 Cable/Cord can be cut in the field to custom length.
- 6 15L requires vented cylinder.
- 7 See Dimensions section for canopy configuration details.
- 8 Stem length varies by canopy configuration. See Dimensions section for details.
- 9 Canopy color for Brushed Aluminum is Black.

## DRIVER/CONTROL OPTION AVAILABILITY

Driver and Control options listed below are available in the configurations and lumen packages as shown.

Driver/Control Option		Cylinder Mounting <sup>1</sup>	Canopy Options <sup>2</sup>	O6L	10L	15L
DMT	0-10V 5%	W	Standard/CC	●	●	▼
		P/S/CM	Standard/CC	●	●	▼
DMTW	0-10V 5%	W	Standard/CC	●	●	▼
		P/S/CM	Standard/CC	●	●	▼

- ▼ Vented cylinder required, see line art for more details.
- 1 See Cylinder Mounting chart.
- 2 See Canopy Options chart and Dimensions section for details.

Cylinder Mounting	
S	Surface Mount
W	Wall Mount
P	Pendant Mount
CM	Cable/Cord Mount

Canopy Options	
(Blank)	Standard Canopy
CC	Conduit Canopy

## CONTROLS

### SpectraSync™ Color Tuning Technology:

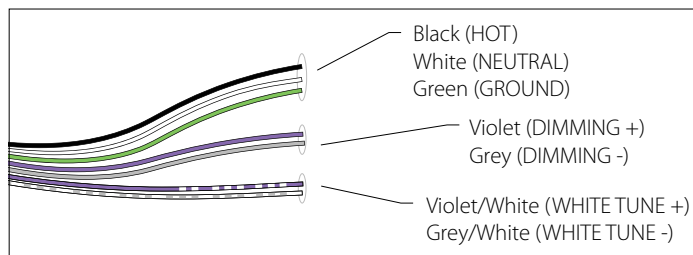
Control your space based on the needs of the application, specific activities throughout the day and preferences of the occupants with distinct SpectraSync™ Color Tuning Technologies.



SPECTRASYNCH COLOR TUNING TECHNOLOGY		
Mode	Kelvin Range	Description
Dim to Warm	2200K-3000K	Mimics the familiar warming effect that occurs with traditional incandescent sources as they are dimmed
Tunable White	2700K-5000K 2700K-6500K	Offers users the ability to tailor CCT to their personal preference, enhancing task visibility, material and colors or the aesthetics of the space
Scheduled White	2700K-5000K 2700K-6500K	Mimics the rhythm of natural light or follows an alternative user-defined schedule throughout the day, enhancing an occupant's mood and well-being

### SpectraSync Tunable White

Available in two options: 2750T (2700K–5000K) or 2765T (2700K–6500K). Requires two 0–10V controllers, one for intensity and one for CCT. Minimum 5% dimming.

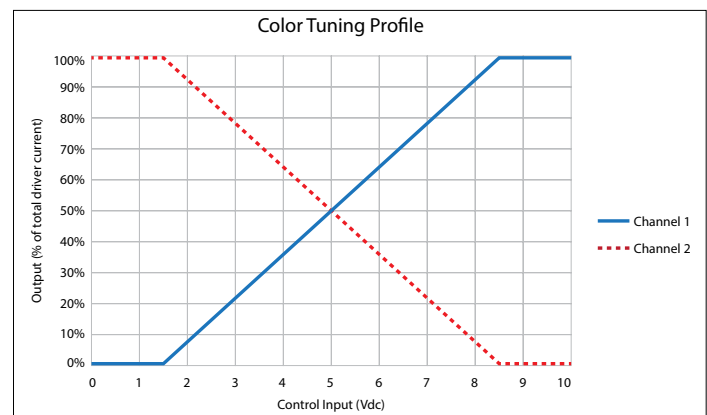


SpectraSync Tunable White luminaires are provided with two 0–10V circuits. The violet and grey circuit is for wiring to any qualified 0–10V controller for dimming. The violet/white and grey/white circuit is for wiring to any qualified 0–10V controller for Tunable White CCT control.

### Controller Manufacturer Data

SpectraSync Tunable White was designed to be used with sinking style dimmers (provided by others) and is compatible with:

- Hubbell Control Solutions (HCS): NX Distributed Intelligence™ Room Controllers (NXRC) and In-fixture Controllers (NXFM)
- Lutron: DDTV, DVSTV, and NFTV dimmers
- Wattstopper: ADF120277 and CD4BL (Titan) dimmers



To enable scheduling and for use with NX wall control preset stations please refer to Hubbell Control Solutions NX SpectraSync technical sheet.



# LTC-4SQD SpectraSync

LITEISTRY 4" SQUARE CYLINDER WITH COLOR TUNING

DATE: \_\_\_\_\_ LOCATION: \_\_\_\_\_

TYPE: \_\_\_\_\_ PROJECT: \_\_\_\_\_

CATALOG #: \_\_\_\_\_

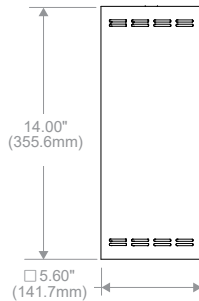
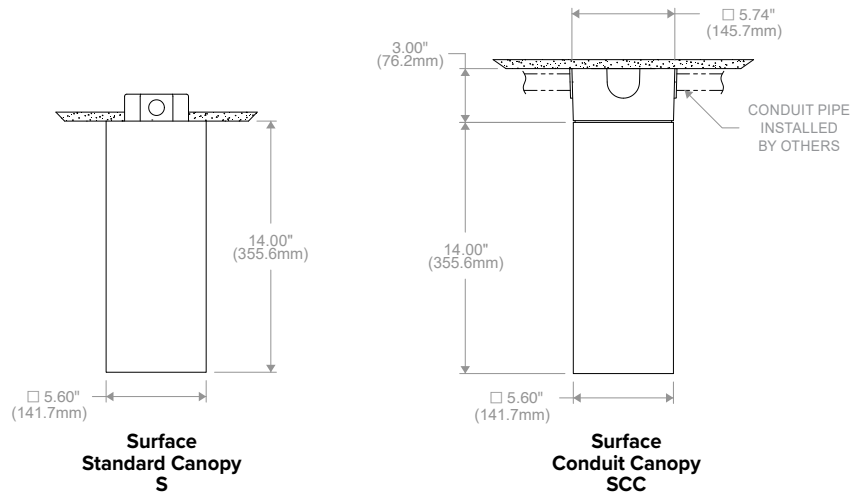
## PERFORMANCE DATA TABLE

Performance data provided below is for 3000K, 90 CRI with Specular Clear reflector finish/color

Lumen Package	Nominal Lumens	Distribution	Delivered Lumens	Watts	LPW
06L	600	Narrow	688	10.0	69
		Medium	664	10.0	66
		Wide	585	10.0	58
		Extra Wide	571	10.0	57
10L	1000	Narrow	1100	18.0	61
		Medium	1062	18.0	59
		Wide	936	18.0	52
		Extra Wide	913	18.0	51
15L	1500	Narrow	1573	25.0	63
		Medium	1519	25.0	61
		Wide	1338	25.0	54
		Extra Wide	1306	25.0	52

**DIMENSIONS**

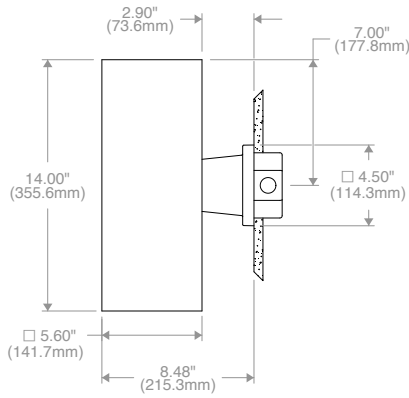
**SURFACE (S)**



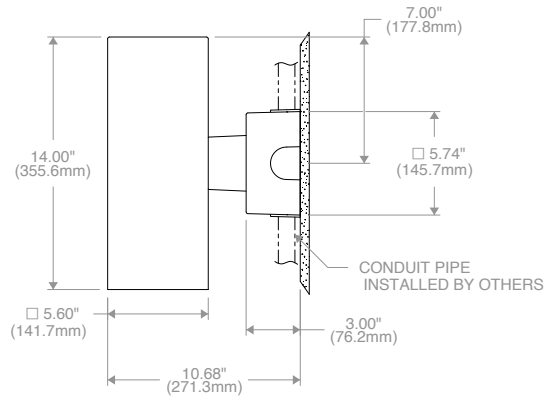
**Vented Detail view  
All 15L  
(All Mountings)**

**DIMENSIONS**

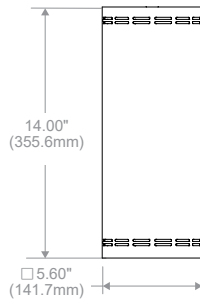
**WALL (W)**



**Wall  
(Standard Canopy)  
W**



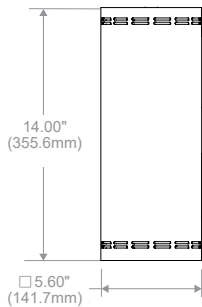
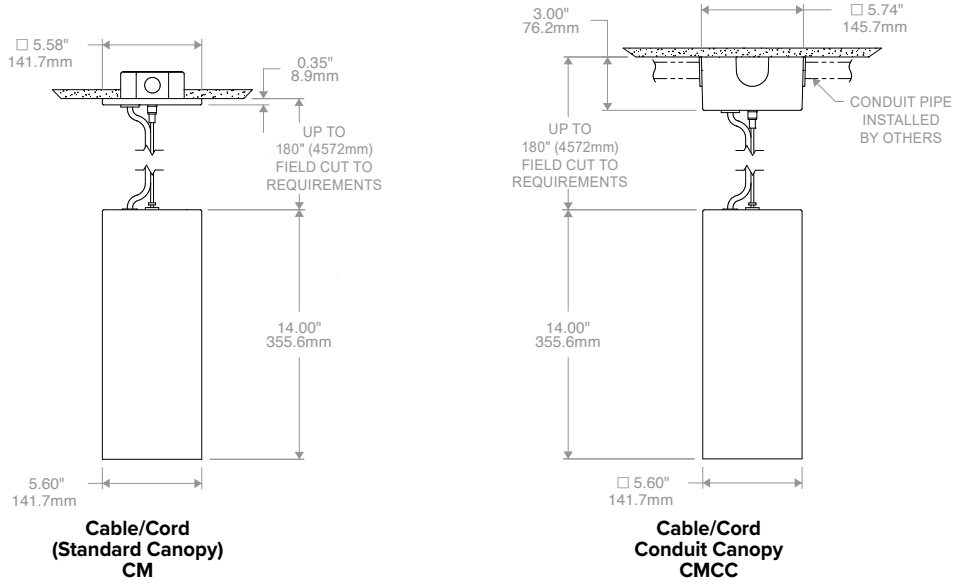
**Wall  
Conduit Canopy  
WCC**



**Vented Detail view  
All 15L  
(All Mountings)**

**DIMENSIONS**

**CABLE/CORD (CM)**



**Vented Detail view  
All 15L  
(All Mountings)**

# LTC-4SQD SpectraSync

LITEISTRY 4" SQUARE CYLINDER WITH COLOR TUNING

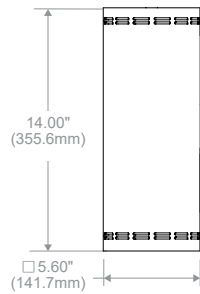
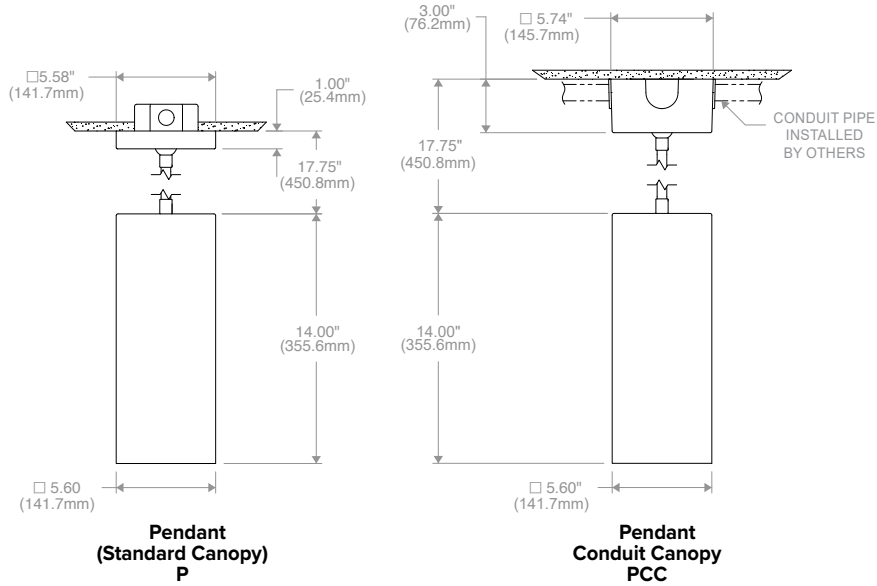
DATE: \_\_\_\_\_ LOCATION: \_\_\_\_\_

TYPE: \_\_\_\_\_ PROJECT: \_\_\_\_\_

CATALOG #: \_\_\_\_\_

## DIMENSIONS

### PENDANT (P)

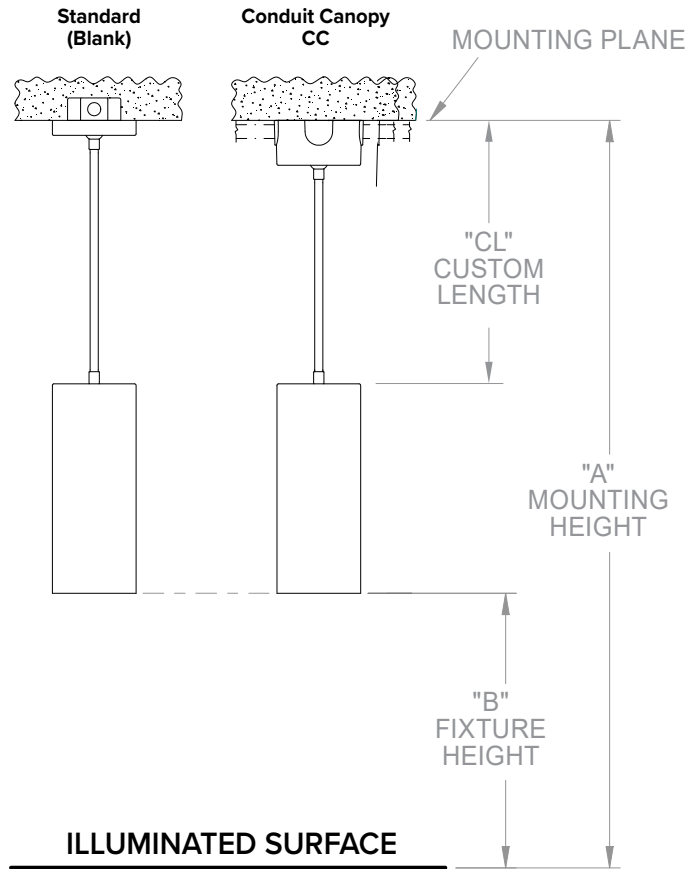


**Vented Detail view  
All 15L  
(All Mountings)**



**DIMENSIONS**

**PENDANT CUSTOM LENGTH**



Custom Length (CL) = Mounting Height (A) - Fixture Height (B) - 14" Cylinder

Ordering Example:

A (120") - B (72") - 14" = 34" Custom Length  
LTC-4SQD-P34

# LTC-4SQD SpectraSync

LITEISTRY 4" SQUARE CYLINDER WITH COLOR TUNING

DATE: \_\_\_\_\_ LOCATION: \_\_\_\_\_

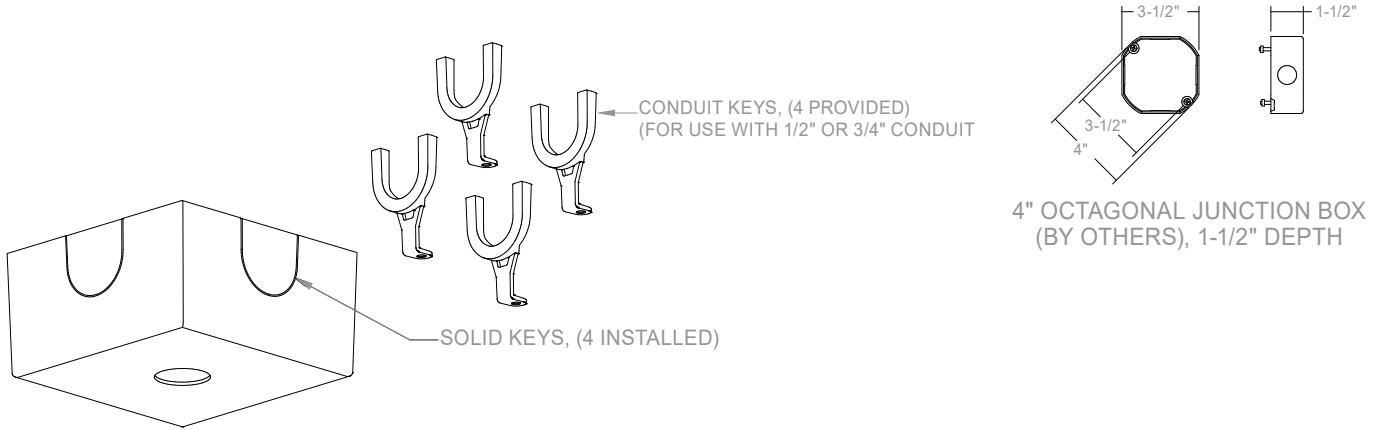
TYPE: \_\_\_\_\_ PROJECT: \_\_\_\_\_

CATALOG #: \_\_\_\_\_

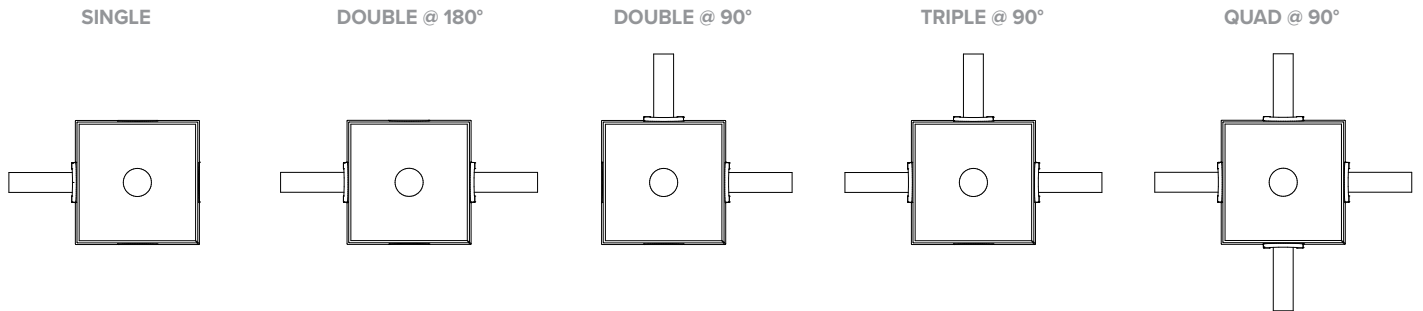
## DIMENSIONS

### CONDUIT CANOPY DETAILS

CC and PCC Conduit Canopy options come standard with (4) Solid Keys installed and (4) Conduit Keys provided.  
Accommodates a 4" octagonal junction box with 1-1/2" depth (by others).



### CONDUIT MOUNTING EXAMPLES - FIELD INTERCHANGEABLE



# LTC-4SQD SpectraSync

LITEISTRY 4" SQUARE CYLINDER WITH COLOR TUNING

## PHOTOMETRY

### LTC-4SQD-P-15L2765T9NR-DMT-S-BL

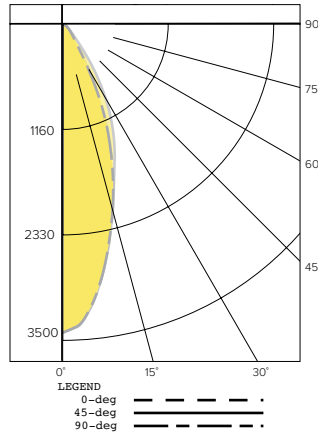
#### LUMINAIRE DATA

Test No.	R19.00949-C02
Description	1500 lm, Narrow, 3000K, 90 CRI
Delivered Lumens	1607
Watts	25.0W
Efficacy	64
Mounting	Pendant
Spacing Criterion	0.6
Beam Angle (FWHM)	37

#### ZONAL LUMEN SUMMARY

Zone	Lumens	% Luminaire
0-40	1511	94.0
0-60	1600	99.6
0-90	1607	100.0
0-180	1607	100.0

#### POLAR GRAPH



#### CANDELA DISTRIBUTION

Degree	Candela - 0	Candela - 45	Candela - 90
0	3252	3252	3252
5	3041	3042	3039
15	2012	2005	2003
25	949	1229	947
35	203	471	203
45	79	96	79
55	17	22	17
65	4	4	4
75	1	1	1
85	1	1	1
90	0	0	0

### LTC-4SQD-P-15L2765T9MD-DMT-S-BL

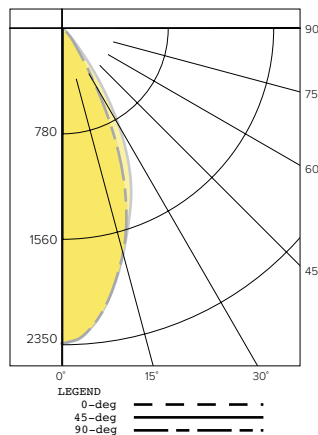
#### LUMINAIRE DATA

Test No.	R19.00950-C02
Description	1500 lm, Medium, 3000K, 90 CRI
Delivered Lumens	1516
Watts	25.0W
Efficacy	61
Mounting	Pendant
Spacing Criterion	0.8
Beam Angle (FWHM)	46

#### ZONAL LUMEN SUMMARY

Zone	Lumens	% Luminaire
0-40	1411	93.1
0-60	1509	99.6
0-90	1516	100.0
0-180	1516	100.0

#### POLAR GRAPH



#### CANDELA DISTRIBUTION

Degree	Candela - 0	Candela - 45	Candela - 90
0	2357	2357	2357
5	2268	2271	2270
15	1750	1760	1754
25	970	1209	977
35	250	507	255
45	84	106	85
55	18	23	18
65	4	4	3
75	1	2	1
85	1	1	1
90	0	0	0

### LTC-4SQD-P-15L2765T9WD-DMT-S-BL

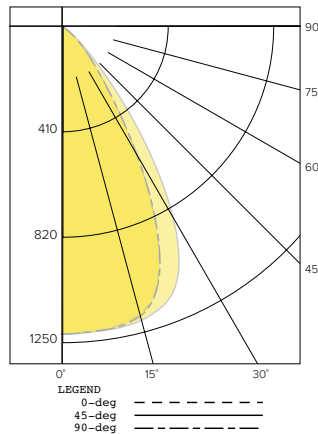
#### LUMINAIRE DATA

Test No.	R19.01045-C02
Description	1500 lm, Wide, 3000K, 90 CRI
Delivered Lumens	1335
Watts	25.0W
Efficacy	53
Mounting	Pendant
Spacing Criterion	1.0
Beam Angle (FWHM)	60

#### ZONAL LUMEN SUMMARY

Zone	Lumens	% Luminaire
0-40	1184	89.0
0-60	1327	99.4
0-90	1335	100.0
0-180	1335	100.0

#### POLAR GRAPH



#### CANDELA DISTRIBUTION

Degree	Candela - 0	Candela - 45	Candela - 90
0	1223	1223	1223
5	1217	1220	1219
15	1187	1211	1194
25	893	1092	900
35	352	602	358
45	122	165	123
55	24	33	25
65	4	5	4
75	2	2	2
85	1	1	1
90	0	0	0

# LTC-4SQD SpectraSync

LITEISTRY 4" SQUARE CYLINDER WITH COLOR TUNING

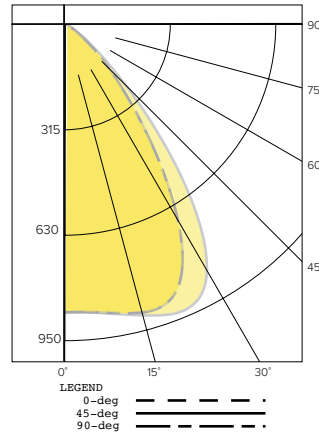
## PHOTOMETRY (CONTINUED)

### LTC-4SQD-P-15L2765T9XW-DMT-S-BL

#### LUMINAIRE DATA

Test No.	R19.00952-C02
Description	1500lm, Extra Wide, 3000K, 90 CRI
Delivered Lumens	1302
Watts	25.0W
Efficacy	52
Mounting	Pendant
Spacing Criterion	1.2
Beam Angle (FWHM)	69

#### POLAR GRAPH



#### CANDELA DISTRIBUTION

Degree	Candela - 0	Candela - 45	Candela - 90
0	879	879	879
5	882	884	882
15	911	920	911
25	838	937	836
35	476	684	474
45	174	242	174
55	31	47	31
65	5	6	5
75	2	3	2
85	1	1	1
90	0	0	0

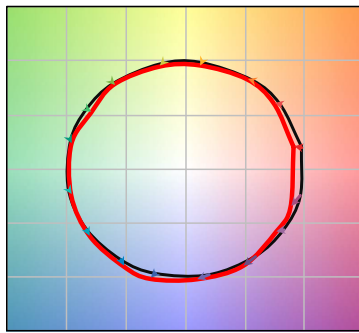
#### ZONAL LUMEN SUMMARY

Zone	Lumens	% Luminaire
0-40	1092	83.9
0-60	1293	99.3
0-90	1302	100.0
0-180	1302	100.0

## TM-30 DATA

### SPECTRASYNCTM TUNABLE WHITE (2765T)

#### COLOR VECTOR GRAPHIC 2700K, 90+ CRI

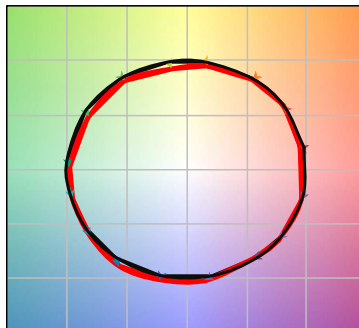


— Reference Illuminant — Test Source

#### COLOR DISTORTION GRAPHIC 2700K, 90+ CRI



#### COLOR VECTOR GRAPHIC 4600K, 90+ CRI



— Reference Illuminant — Test Source

#### COLOR DISTORTION GRAPHIC 4600K, 90+ CRI



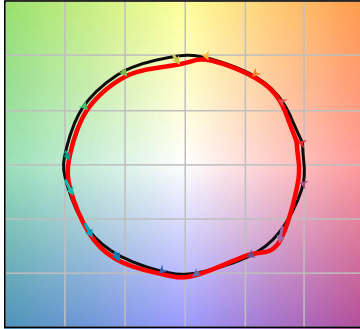
TEST RESULTS - TUNABLE WHITE @ 1500 LUMENS (NOMINAL)			
Value	2700K	4600K	6500K
Luminous Flux (lm)	1407	1604	1660
Wattage (W)	23.9	24.3	24.6
Efficacy (lm/W)	59	66	68
R <sub>f</sub>	90	89	87
R <sub>g</sub>	97	98	96
CCT (K)	2817	4588	6518
D <sub>uv</sub>	-0.0013	-0.0040	0.0018
x	0.4482	0.3565	0.3131
y	0.4047	0.3531	0.3273
CIE R <sub>a</sub>	91	95	94
CIE R <sub>g</sub>	47	81	76

# LTC-4SQD SpectraSync

LITEISTRY 4" SQUARE CYLINDER WITH COLOR TUNING

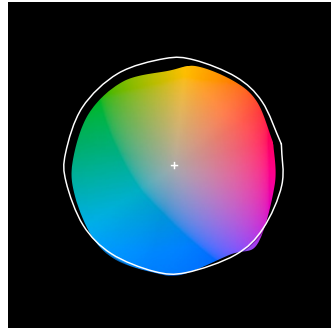
## TM-30 DATA (CONTINUED)

COLOR VECTOR GRAPHIC  
6500K, 90+ CRI



— Reference Illuminant — Test Source

COLOR DISTORTION GRAPHIC  
6500K, 90+ CRI



## ELECTRICAL DATA

DRIVER DATA	
Input Voltage	120-277 V
Input Frequency	50/60 Hz
Power Factor	≥0.90
THD	<20%
EMI Filtering (FCC 47 CFR Part 15)	Class A
Operating Temperature	-20° C to 40° C

WATTAGE DATA		
Lumen Output	Nominal Lumens	WATTAGE
06L	600	10
10L	1000	18
15L	1500	25

\* Wattage may vary based on configuration and options selected

## ADDITIONAL INFORMATION

### Central Inverters

For full fixture output in back-up mode, we recommend you visit [www.dual-lite.com](http://www.dual-lite.com) for your Central Lighting Inverter options. Please contact your local Hubbell representative for any assistance with proper sizing and loading of your inverter selection. Central lighting inverters must be ordered separately.

LiteGear: [www.dual-lite.com/products/litegear\\_lg\\_series](http://www.dual-lite.com/products/litegear_lg_series)

LPS Series: [www.dual-lite.com/products/lps](http://www.dual-lite.com/products/lps)